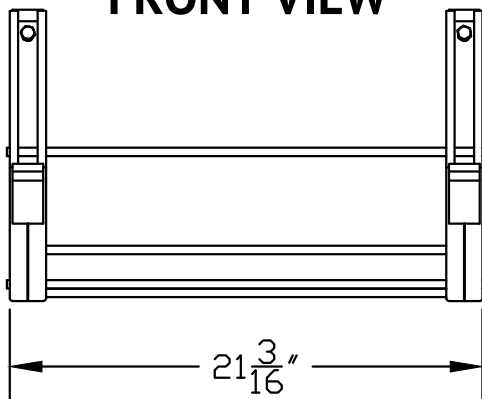
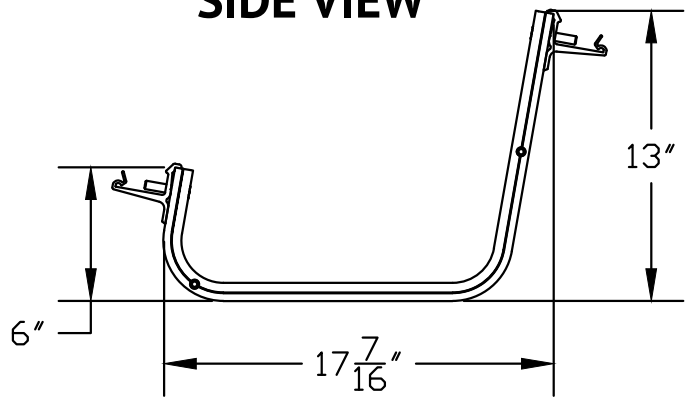


FRONT VIEW



SIDE VIEW



1411 BROADWAY BLVD NE
ALBUQUERQUE, NM 87102 USA

WWW.UNIRAC.COM

PRODUCT LINE: RM

DRAWING TYPE: COMPONENT ASSEMBLY

DESCRIPTION: BAY & MODULE CLIPS

REVISION DATE: APRIL - 2016

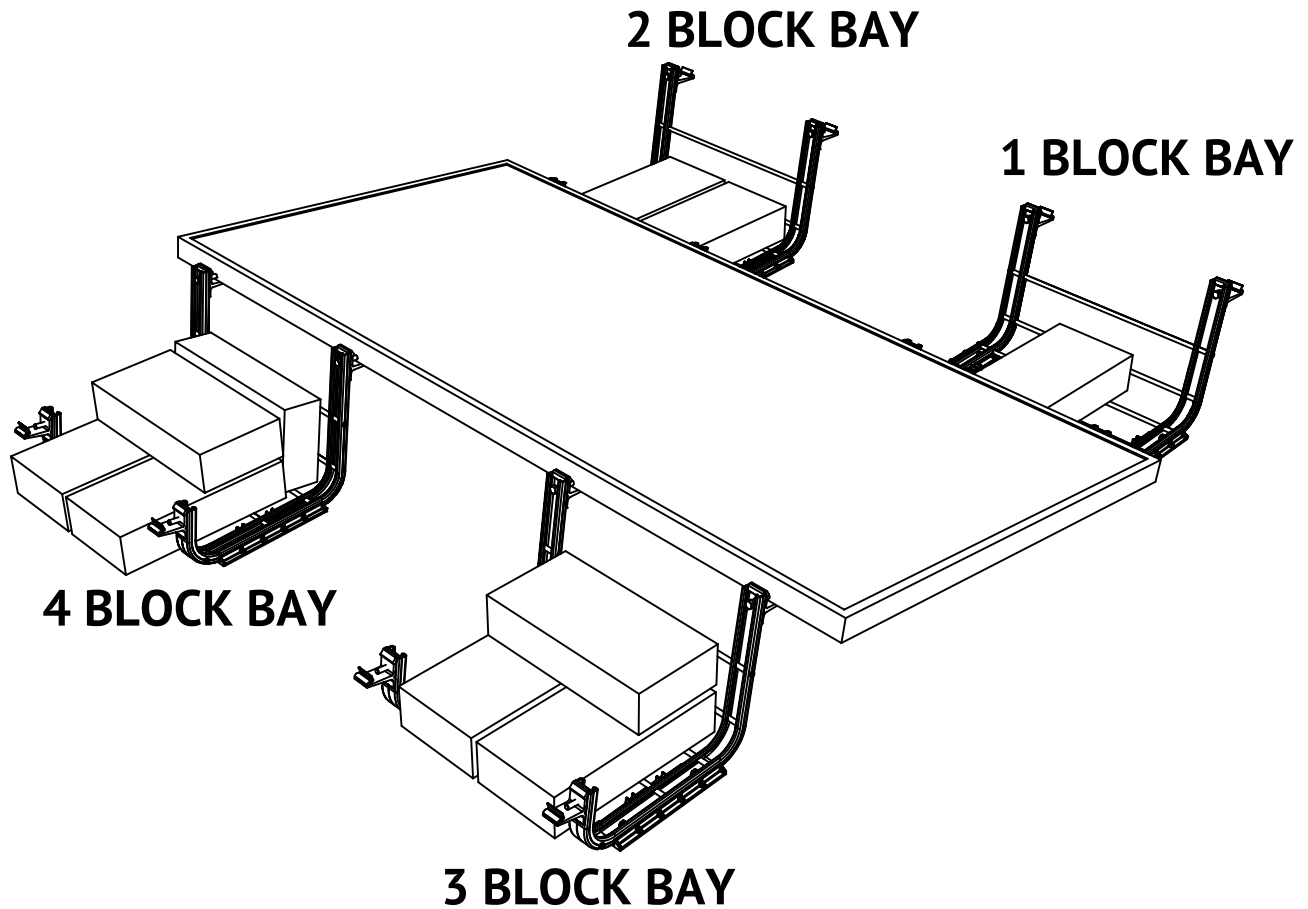
DRAWING NOT TO SCALE
ALL DIMENSIONS ARE NOMINAL

PRODUCT PROTECTED BY ONE
OR MORE US PATENTS

LEGAL NOTICE

RM-A01

SHEET



1411 BROADWAY BLVD NE
ALBUQUERQUE, NM 87102 USA

WWW.UNIRAC.COM

PRODUCT LINE:	RM
DRAWING TYPE:	ASSEMBLY
DESCRIPTION:	1-2-3-4 BLOCK RM BAYS
REVISION DATE:	APRIL - 2016

DRAWING NOT TO SCALE
ALL DIMENSIONS ARE NOMINAL

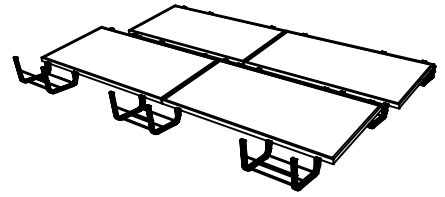
PRODUCT PROTECTED BY ONE
OR MORE US PATENTS

LEGAL NOTICE

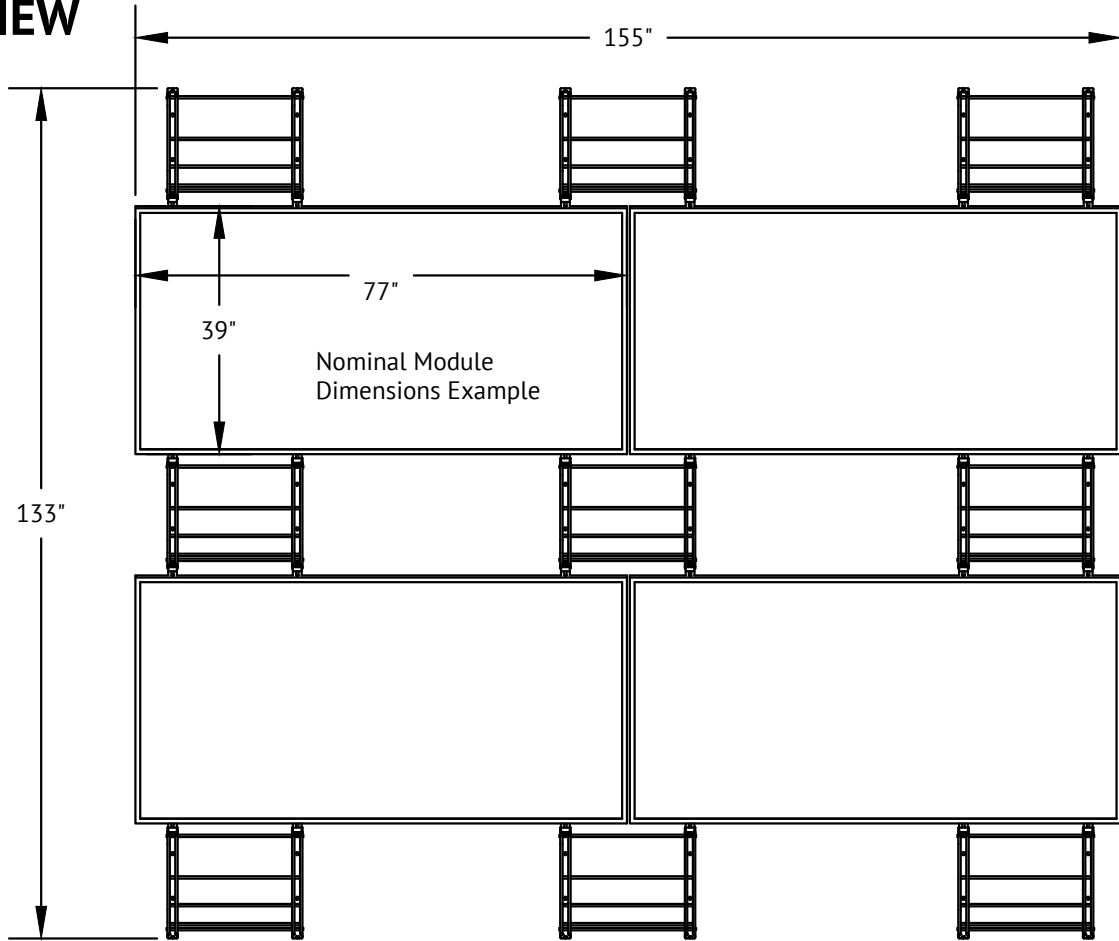
RM-A02

SHEET

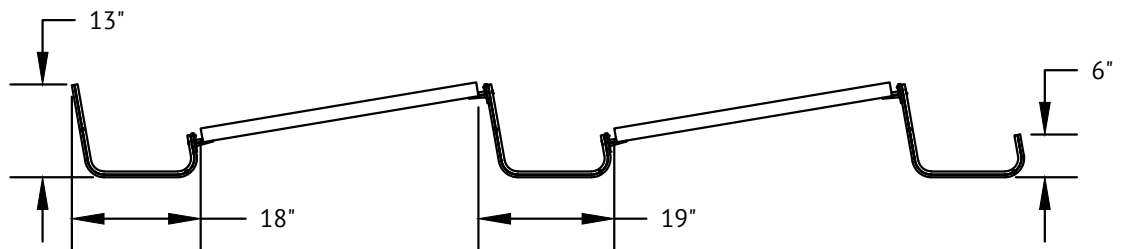
NOTE: ARRAY DIMENSIONS WILL VARY BASED ON
MODULE WIDTH, LENGTH AND RETURN FLANGE



TOP VIEW



SIDE VIEW



1411 BROADWAY BLVD NE
ALBUQUERQUE, NM 87102 USA

WWW.UNIRAC.COM

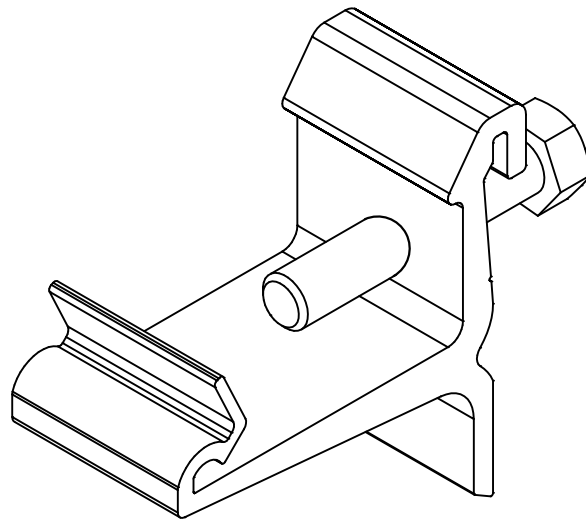
PRODUCT LINE:	RM
DRAWING TYPE:	ASSEMBLY
DESCRIPTION:	4 MODULE RM LAYOUT
REVISION DATE:	APRIL - 2016

DRAWING NOT TO SCALE
ALL DIMENSIONS ARE NOMINAL

PRODUCT PROTECTED BY ONE
OR MORE US PATENTS

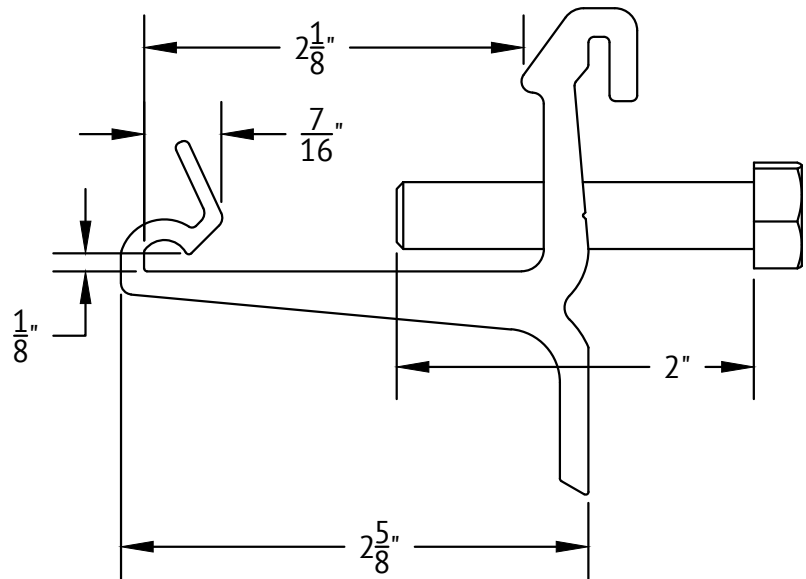
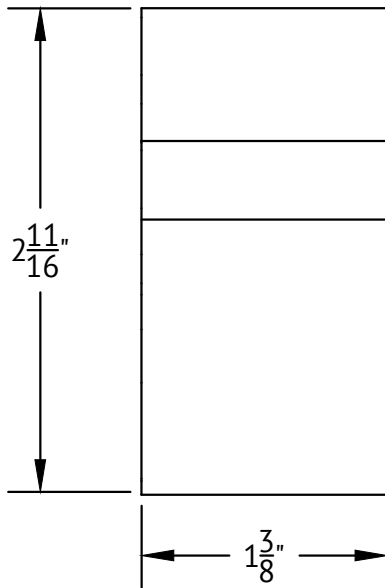
LEGAL NOTICE

RM-A03
SHEET



FRONT VIEW

SIDE VIEW



1411 BROADWAY BLVD NE
ALBUQUERQUE, NM 87102 USA

WWW.UNIRAC.COM

PRODUCT LINE:

RM

DRAWING TYPE:

PART

DESCRIPTION:

RM CLIP & BOLT

REVISION DATE:

APRIL - 2016

DRAWING NOT TO SCALE
ALL DIMENSIONS ARE NOMINAL

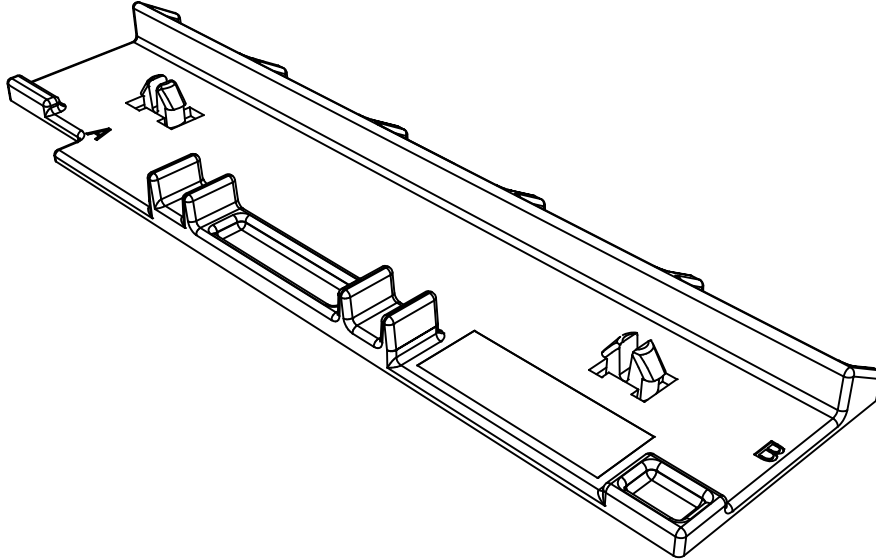
PRODUCT PROTECTED BY ONE
OR MORE US PATENTS

LEGAL NOTICE

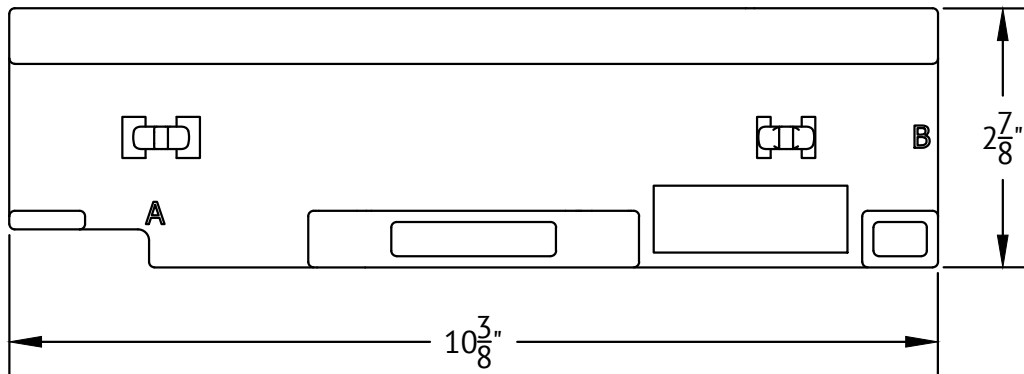
RM-P01

SHEET

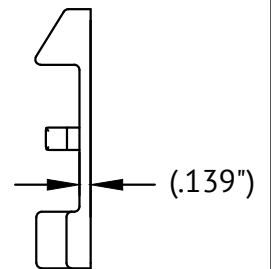
Material: TPE 70 Shore A: Santoprene 201-73,
 Elastocon 2870 or Unisoft TPE ST-70A BK-2-01.
 Color: Black



TOP VIEW



SIDE VIEW



1411 BROADWAY BLVD NE
 ALBUQUERQUE, NM 87102 USA

WWW.UNIRAC.COM

PRODUCT LINE:	RM
DRAWING TYPE:	PART
DESCRIPTION:	RM FOOT PAD
REVISION DATE:	APRIL - 2016

DRAWING NOT TO SCALE
 ALL DIMENSIONS ARE NOMINAL

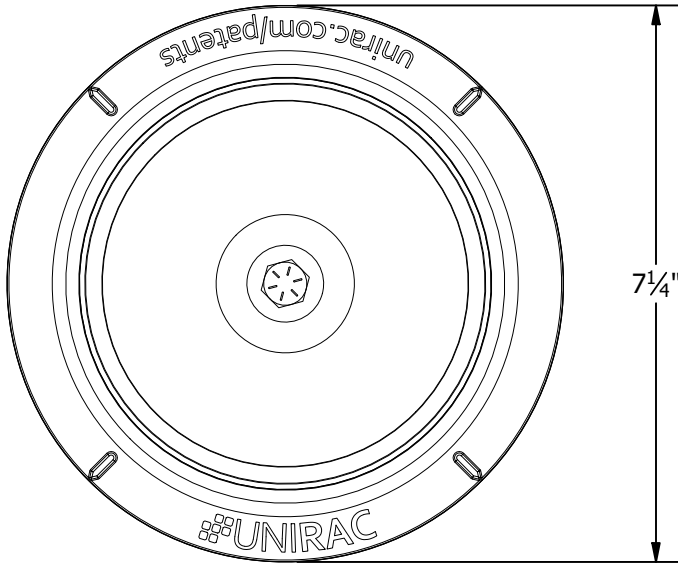
PRODUCT PROTECTED BY ONE
 OR MORE US PATENTS

LEGAL NOTICE

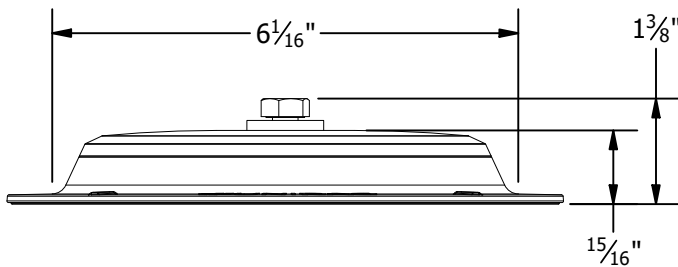
RM-P02
 SHEET

NOTES:

1. ATTACHMENT CAN ACCOMMODATE ROOFING SCREW SIZES #12 - #15. FASTENER SIZE, LENGTH, AND QUANTITY TO BE SELECTED BY STRUCTURAL ENGINEER OF RECORD WHEN DESIGNING FOR THE SPECIFIC PROJECT CONSTRUCTION AND CAPACITY.
2. REFER TO THE UNIRAC INSTALLATION GUIDE FOR PROPER USE OF CHEM LINK M1 AND ONE-PART SEALANTS FOR WATER TIGHT INSTALLATION.

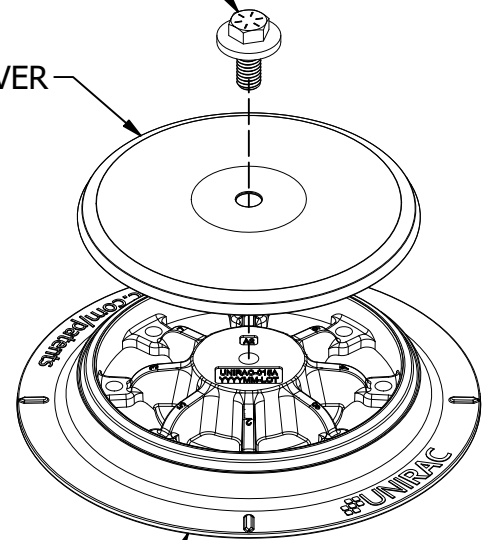


TOP VIEW



Ø 3/8" HARDWARE
(PRE-ASSEMBLED)

COVER



BASE

PART # TABLE	
P/N	DESCRIPTION
310999	FLASHLOC RM KIT

ULTIMATE TEST LOAD (WITH 8 ROOF FASTENERS)

UPLIFT ULTIMATE CAPACITY	6,670 lbs.
SHEAR ULTIMATE CAPACITY	5,760 lbs.



1411 BROADWAY BLVD. NE
ALBUQUERQUE, NM 87102 USA
PHONE: 505.242.6411
WWW.UNIRAC.COM

PRODUCT LINE:	RM
DRAWING TYPE:	ASSEMBLY DETAIL
DESCRIPTION:	FLASHLOC RM KIT
REVISION DATE:	6/26/2020

DRAWING NOT TO SCALE
ALL DIMENSIONS ARE
NOMINAL

PRODUCT PROTECTED BY
ONE OR MORE US PATENTS

LEGAL NOTICE

RMF-A01

SHEET