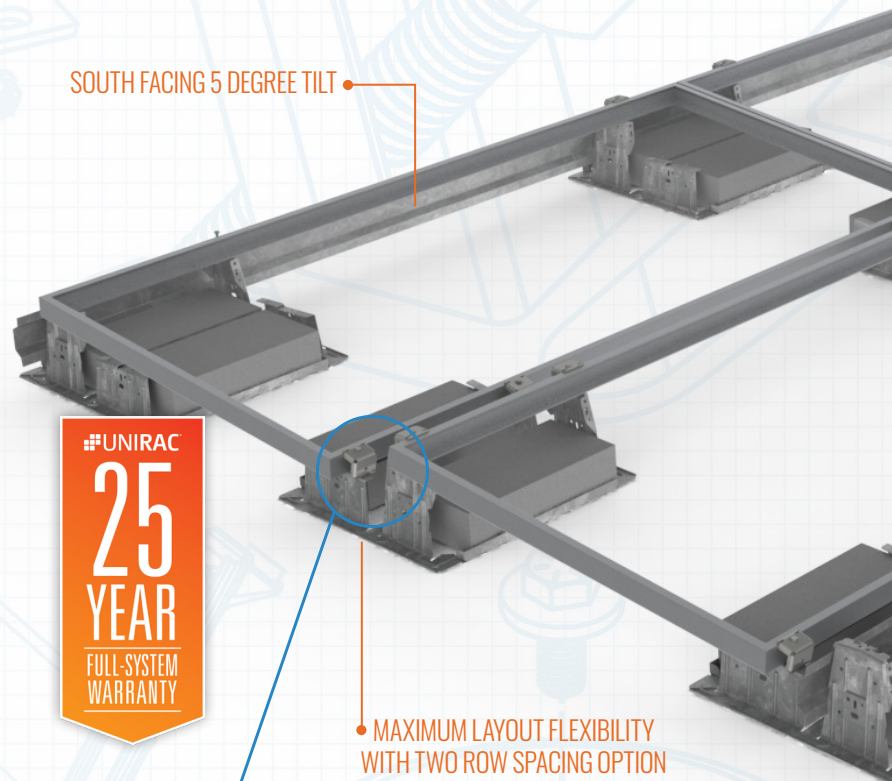


ROOFMOUNT | RM5

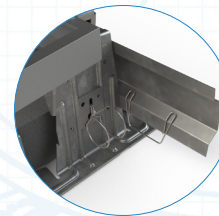


MAXIMUM VALUE, FLEXIBILITY AND RELIABILITY

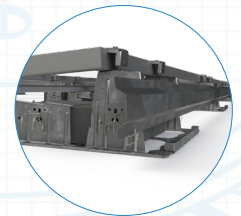
- RM5 system provides unsurpassed adaptability and layout flexibility.
- Row spacing options of 7.5" or 11" give you the ability to maximize array layout and increase project energy production.
- Set, then clamp feature provides better construction sequencing for rapid installation
- Wind deflectors provide ballast reduction overall system weight on the roof to meet a variety of project requirements.
- Optional roof attachment meets a variety of project requirements
- G235 steel - double the corrosion protection of other industry products
- Compact packaging - up to 1 MW per truck



RM BAY



RM BAY WIRE MGMT



CLIPS W

WHY ROOFMOUNT | RM5?

RM5 is a ballasted south-facing five-degree tilt mounting system for flat roofs. Fewer components, single tool installation, snap-in hardware, and integrated bonding ensure high speed installation, while features such as 7.5" or 11" row spacing and optional wind deflector, roof attachments, MLPE mount, and wire management provide a complete solution. UNIRAC's unmatched commercial project support makes construction easy, from permitting through installation, and RM5 is supported by North America's largest distribution network. Plus, enjoy peace of mind with UNIRAC's industry-leading 25-year warranty.